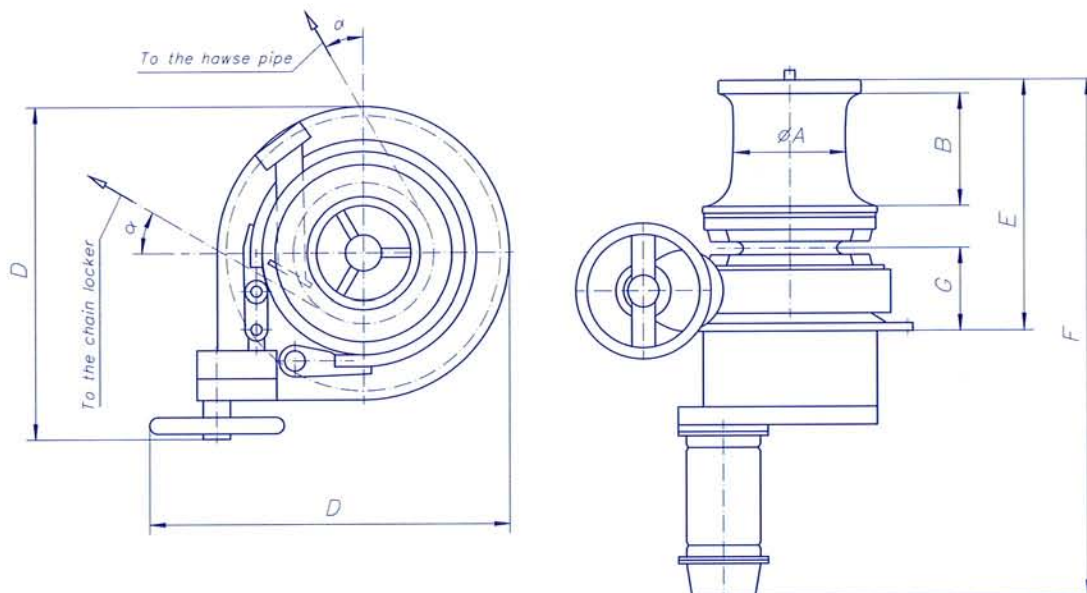


ANCHOR - MOORING CAPSTANS WITH ELECTRIC DRIVE

Technical parameters

Type	Nominal Diameter	Nominal Speed	Nominal motor power	Warping End	
	K3			Nominal Pull	Nominal Speed
	[mm]				
KK	16-17,5	min 9	3	10	13
	19-22		5	20	12
	24-26		7	30	12
	28-30		9	30	13
	32-36		12	50	12
	38-40		15	63	12
	42		17	80	12
	44 ÷ 48		21	80	13
	50 ÷ 52		25	100	13

Other sizes and parameters on request.



Dimensions

Type KK	Dimensions						
	A	B	D	E	F	G	α
	[mm]						
16-17,5	360	250	810	560	1510	180	30
19-22	450	250	810	600	1600	220	
24-26	450	360	950	760	1810	250	
28-30	560	360	970	770	1870	260	
32-36	630	360	1020	880	2010	340	
38-40	630	360	1100	965	2115	365	
42					2185		
44-48	710	450	1100	1100	2355	400	
50-52	800	450			2380		



TOWIMOR S.A.

ul. Starotoruńska 5, 87 - 100 Toruń - Poland, tel. (+48 56) 65 50 772, 62 15 208, fax (+48 56) 65 42 517, 65 42 585
e mail: towimor@towimor.com.pl; www.towimor.com.pl