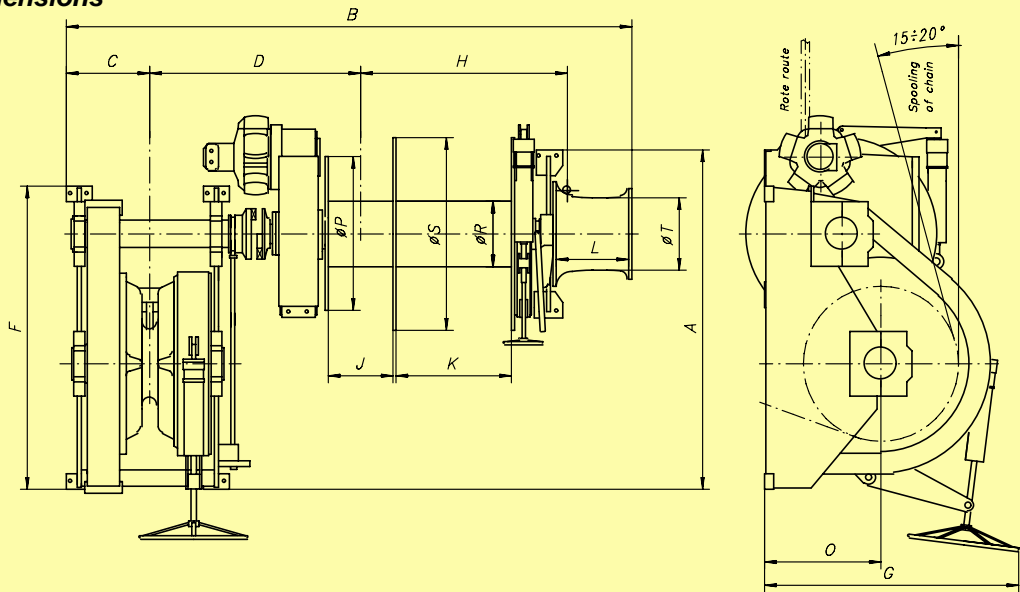


TECHNICAL PARAMETERS

Type of Winch	Nominal Pull	Nominal Speed	Light Line Speed	Ropes		Length of Rope		Warping End Nominal Pull	Work. Press.	Nominal Diameter of Anchor Chain K3		
				Diam. of Steel Rope	Diam. of Synth. Rope	Steel Rope	Synth. Rope					
	[kN]	[m/min]	[m/min]	[mm]	[mm]	[m]	[m]	[kN]	[bar]	[mm]		
C6H	60	0 ÷ 15	0 ÷ 30	18	48	180	200	50	280	36 ÷ 52		
C8H	80			22	56							
C10H	100			24	60							
C12H	125			26	64	250					100	52 ÷ 68
C16H	160			32	76							
C20H	200			36	88							
C25H	250			40	96							
C30H	300			44	100							

Other sizes and parameters on request.

Dimensions



Type of Winch	Dimensions [mm]															Weight (with motor) [kg]
	A	B	C	D	F	G	H	J	K	L	O	ØP	ØR	ØS	ØT	
Steel rope																
C6 + PK	1980	2940	435	1420	1500	1500	785	895	-	360	800	600	355	850	360	3850
C8 + PK	1980	3255	435	1525	1500	1500	900	1100	-	450	800	600	355	850	450	4750
C10 + PK	2120	3610	500	1800	1780	1800	910	1230	-	450	850	700	406	1100	450	7100
C12 + PK	2120	3610	500	1800	1780	1800	910	1230	-	450	850	750	457	1100	450	7600
C16 + PK	2375	4160	565	2010	1975	1915	1020	1400	-	560	900	1100	530	1100	560	96200
C20 + PK	2625	4465	645	2090	2345	2015	1180	1400	-	630	900	1100	580	1100	630	11600
C25 + PK	2630	4610	810	2200	2850	1100	1340	1400	-	630	1400	1100	640	1100	630	17200
C30 + PK	3710	5700	1000	2400	3300	1100	1380	1400	-	710	1400	1200	710	1200	710	21300

Synthetic rope	Dimensions [mm]															Weight [kg]
	A	B	C	D	F	G	H	J	K	L	O	ØP	ØR	ØS	ØT	
C6 + PK	1980	2940	435	1175	1500	1500	950	400	480	360	800	850	355	1200	360	4000
C8 + PK	1980	3110	435	1115	1500	1500	1155	280	675	450	800	850	355	1200	450	4900
C10 + PK	2120	3720	500	1435	1780	1500	1285	500	725	560	850	1050	406	1400	560	7500
C12 + PK	2120	3720	500	1435	1780	1500	1285	500	725	560	850	1050	406	1400	560	8000
C16 + PK	2375	4160	565	1500	1975	1915	1525	400	900	560	900	1250	457	1490	560	10000
C20 + PK	2625	4465	645	1580	2345	2015	1635	400	1000	630	900	1490	530	1490	630	12000
C25 + PK	2630	4760	810	1795	2850	1100	1740	500	1000	630	1400	1650	580	1650	630	17800
C30 + PK	3710	6100	1000	2000	3300	1100	1600	600	1200	710	1400	1800	600	1800	710	22100