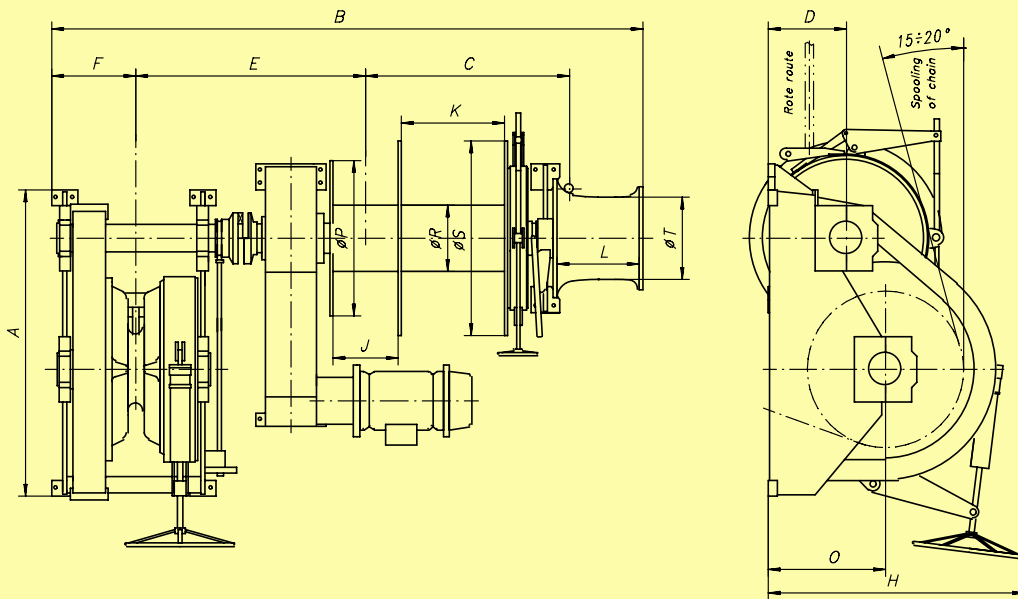


## TECHNICAL PARAMETERS

Type of Winch	Nominal Pull	Nominal Speed	Light Line Speed	Ropes		Length of Rope		Warping End Nominal Pull	Minimum Output of Electric Motor	Nominal Diametr of Anchor Chain K3
				Diam.of Steel Rope	Diam. of Synth. Rope	Steel Rope	Synth. Rope			
	[ kN ]	[ m/min ]	[ m/min ]	[ mm ]	[ mm ]	[ m ]	[ m ]	[ kN ]	[ kW ]	[ mm ]
C6	60	15	30	18	48	180	200	50	18 ÷ 26	36 ÷ 52
C8	80			22	56			50	25 ÷ 35	44 ÷ 60
C10	100			24	60			70	30 ÷ 45	52 ÷ 68
C12	125			26	64	100		35 ÷ 45	52 ÷ 68	
C16	160			32	76	125		45 ÷ 60	62 ÷ 78	
C20	200			36	88	150		60 ÷ 95	70 ÷ 102	
C25	250			40	96	200		75 ÷ 115	81 ÷ 112	
C30	300			44	100	300		86 ÷ 134	92 ÷ 122	

Other sizes and parameters on request.



## Dimensions and Weight

Type of Winch	Dimensions [mm]															Weight with motor [ kg ]
	A	B	C	D	E	F	H	J	K	L	O	Ø P	Ø R	Ø S	Ø T	
Steel rope																
C6 + PK	1500	3015	785	500	1470	435	1500	895	-	360	800	600	355	850	360	4750
C8 + PK	1500	3305	900	500	1570	435	1500	1100	-	450	800	600	355	850	450	5500
C10 + PK	1780	3710	910	600	1775	500	1800	1230	-	450	850	650	406	1100	450	7800
C12 + PK	1780	3710	910	600	1775	500	1800	1230	-	450	850	650	457	1100	450	8200
C16 + PK	1975	4310	1020	600	2100	565	1915	1420	-	560	900	1100	530	1100	560	10800
C20 + PK	2350	4580	1180	800	2220	645	2015	1420	-	630	900	1100	580	1100	630	12600
C25 + PK	2850	5290	1340	800	2580	810	1100	1400	-	630	1400	1100	640	1100	630	19200
C30 + PK	3300	5260	1380	800	2850	900	1100	1400	-	710	1400	1200	710	1200	710	24600

Synthetic rope	Dimensions [mm]															Weight with motor [ kg ]
	A	B	C	D	E	F	H	J	K	L	O	Ø P	Ø R	Ø S	Ø T	
C6 + PK	1500	3015	1030	500	1220	435	1500	400	480	360	800	850	355	1200	360	4800
C8 + PK	1500	3305	1240	500	1230	435	1500	420	675	450	800	850	355	1200	450	5650
C10 + PK	1780	3820	1475	600	1410	500	1800	500	725	560	850	1050	406	1400	560	8400
C12 + PK	1780	3820	1475	600	1410	500	1800	500	725	560	850	1050	406	1400	560	8800
C16 + PK	1975	4310	1525	600	1590	565	1915	400	900	560	900	1250	457	1490	560	11400
C20 + PK	2350	4580	1635	600	1710	645	2015	400	1000	630	900	1490	530	1490	630	12800
C25 + PK	2850	5290	1740	800	2180	810	1100	500	1000	630	1400	1600	580	1650	630	19500
C30 + PK	3300	5640	1600	800	2480	900	1100	600	1200	710	1400	1800	600	1800	710	25300