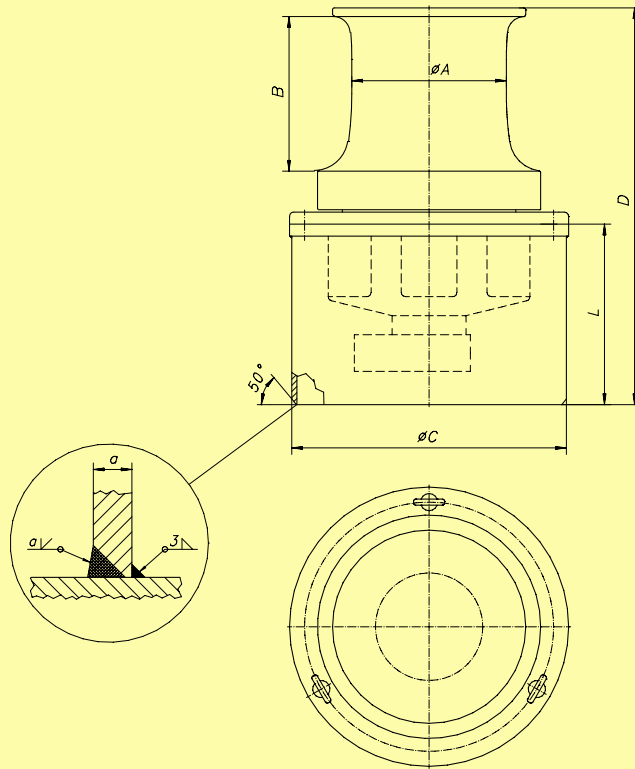


MOORING CAPSTANS WITH HYDRAULIC DRIVE

TECHNICAL PARAMETERS

Type	Pull	Nominal. Speed	Hydraulic Drive		Rope bre- aking force
			Volume Flow	Work Press	
	[kN]	[m/min]	[l/min]	[bar]	[kN]
G1H	10	0 ÷ 15	10	250	30 ÷ 50
G2H	20		20		50 ÷ 80
G3H	30		30		100 ÷ 200
G5H	50		55		250 ÷ 300
G8H	80		85		300 ÷ 350
G10H	100		100		300 ÷ 350
G12H	125		140		350 ÷ 400
G16H	160		150		350 ÷ 400

Other sizes and parameters on request.



Dimensions

Pull [kN]	Dimensions				
	A	B	C	D	L
	[mm]				
10	250	250	457	710	400
20	360	360	640	900	
30					
50	450	450	960	1300	650
80					
100					
125					
160					