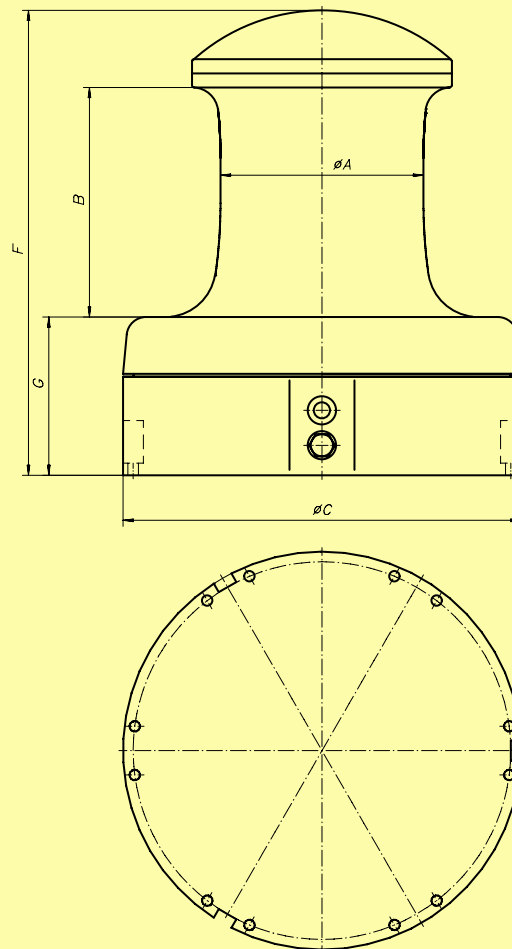


MOORING CAPSTANS WITH ELECTRIC DRIVE

TECHNICAL PARAMETERS

Type	Nominal Pull	Nominal Speed	Nominal motor power	Steel wire diameter max	Rope breaking force
	[kN]	[m/min]	[kW]	[mm]	[kN]
G1A	10	15	3,0	20	50-80
G2A	20		5,5	24	100-150
G3A	30		8,5		
G4B	40		11,0	32	250-300
G5B	50		14,0		

Other sizes and parameters on request.



Dimensions

Nominal Pull [kN]	Dimensions				
	A	B	C	F	G
	[mm]				
10	315	400	680	700	200
20	360	450	820	880	265
30				930	
40	500	565	980	1145	390
50					