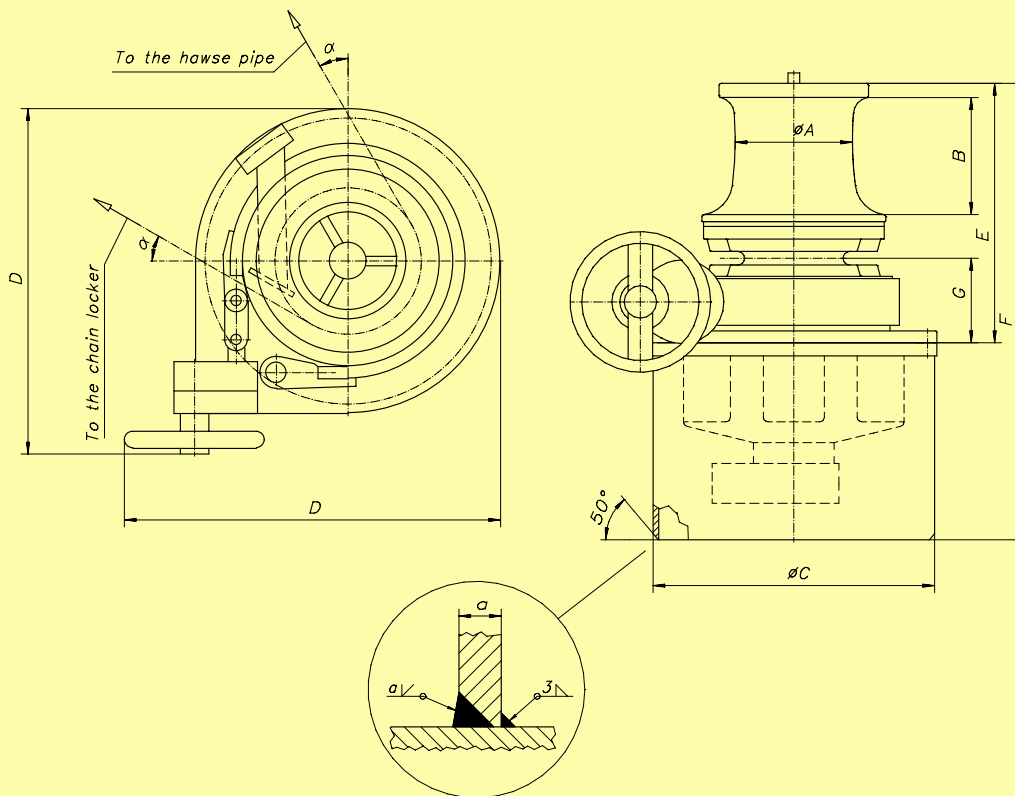


ANCHOR - MOORING CAPSTANS WITH HYDRAULIC DRIVE

TECHNICAL PARAMETERS

Type	Nominal Diameter of anchor chain		Nominal Speed	Warping End Nominal Pull	Nominal Speed	Loose Rope Speed	Hydraulic Drive	
	K3	K2					Volume Flow	Work Press
	[mm]						[l/min]	[bar]
KK	16 ÷ 19	16 ÷ 19	0 ÷ 9	10	0 ÷ 15	0 ÷ 30	8 ÷ 14	250
	19 ÷ 24	19 ÷ 26		20			12 ÷ 31	
	22 ÷ 28	22 ÷ 28		30			18 ÷ 42	
	24 ÷ 42	24 ÷ 44		50			30 ÷ 100	
	36 ÷ 48	36 ÷ 50		80			60 ÷ 125	
				100				
				125				
		160						

Other sizes and parameters on request.



Dimensions

Type	Dimensions							
	A	B	C	D	E	F	G	α
	[mm]							
16 ÷ 19	250	250	640	810	575	1000	180	30
19 ÷ 24	360	360	640	810	650	1075	220	
22 ÷ 28	450	450	900	950	890	1450	250	
24 ÷ 42	450	450	900	1100	1000	1650	365	
36 ÷ 48	450	450	990	1100	1050	1700	400	