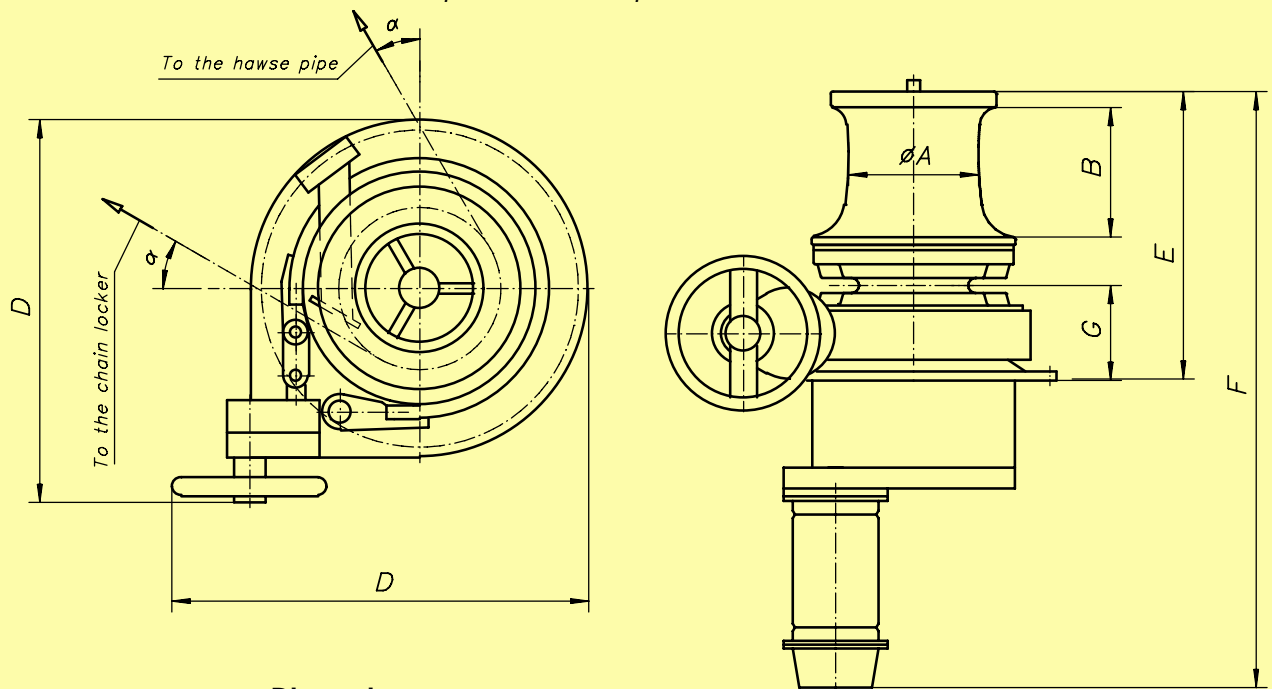


ANCHOR - MOORING CAPSTANS WITH ELECTRIC DRIVE

TECHNICAL PARAMETERS

Type	Nominal Diameter	Nominal Speed	Nominal motor power	Warping End	
	K3			Nominal Pull	Nominal Speed
	[mm]			[kN]	[m/min]
KK	16 ÷ 17,5	min 9	3	10	13
	19 ÷ 22		5	20	12
	24 ÷ 26		7	30	12
	28 ÷ 30		9	30	13
	32 ÷ 36		12	50	12
	38 ÷ 40		15	63	12
	42		17	80	12
	44 ÷ 48		21	80	13
	50 ÷ 52		25	100	13

Other sizes and parameters on request.



Dimensions

Type KK	Dimensions						
	A	B	D	E	F	G	α
	[mm]						
16 ÷ 17,5	360	250	810	560	1510	180	30
19 ÷ 22	450	250	810	600	1600	220	
24 ÷ 26	450	360	950	760	1810	250	
28 ÷ 30	560	360	970	770	1870	260	
32 ÷ 36	630	360	1020	880	2010	340	
38 ÷ 40	630	360	1100	965	2115	365	
42					2185		
44 ÷ 48	710	450	1100	1100	2355	400	
50 ÷ 52	800	450			2380		